

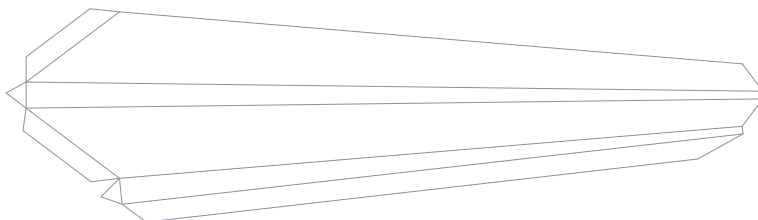
Blank space for 787-10 variant

Instructions

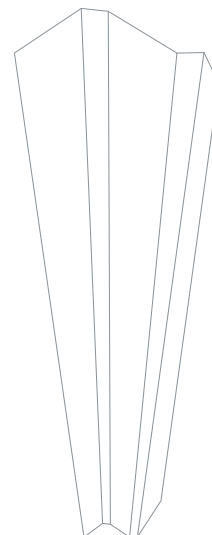


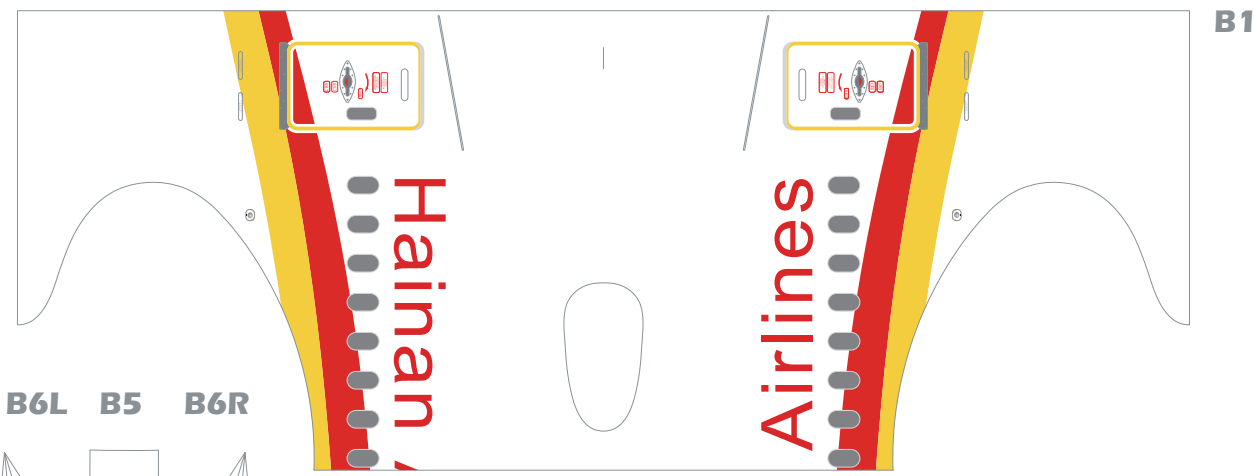
Scan

A14

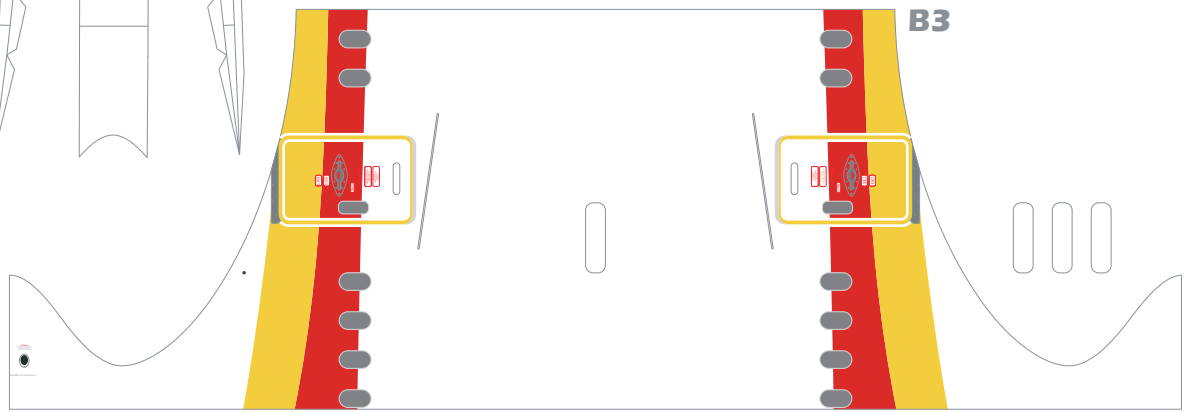
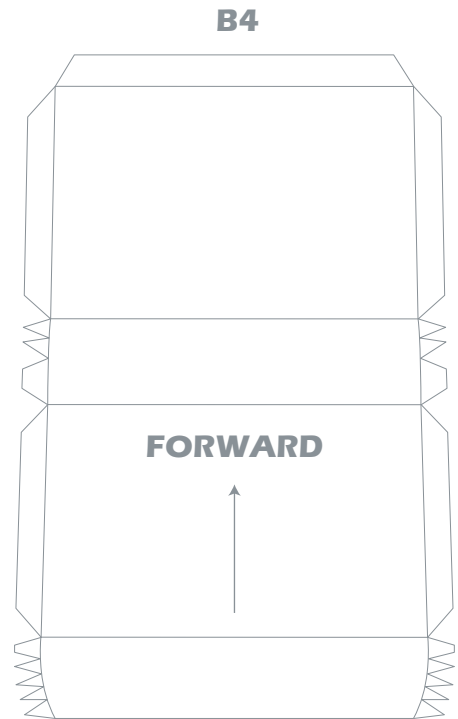
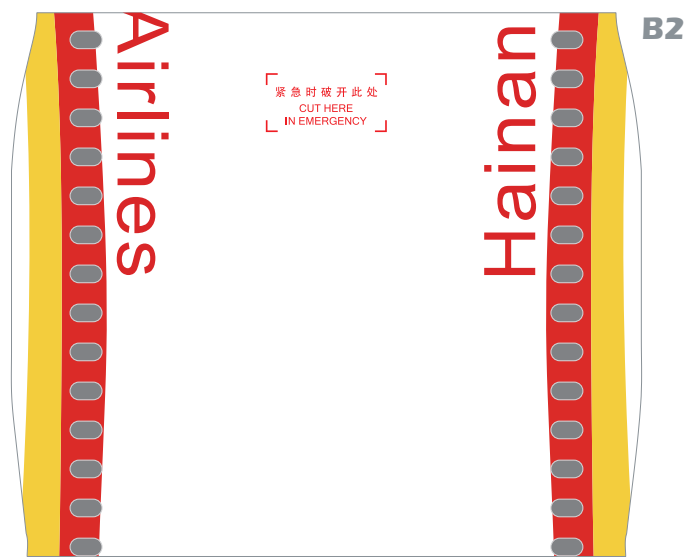
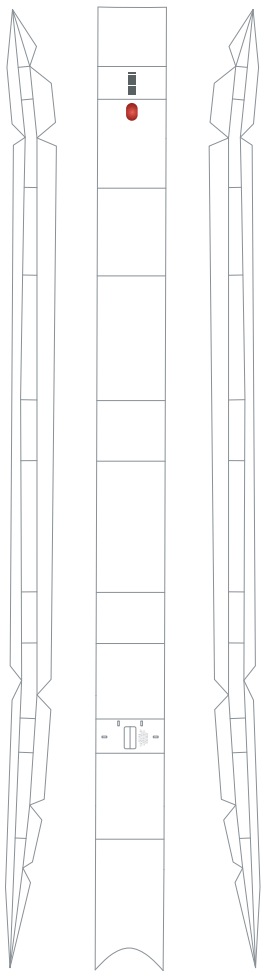


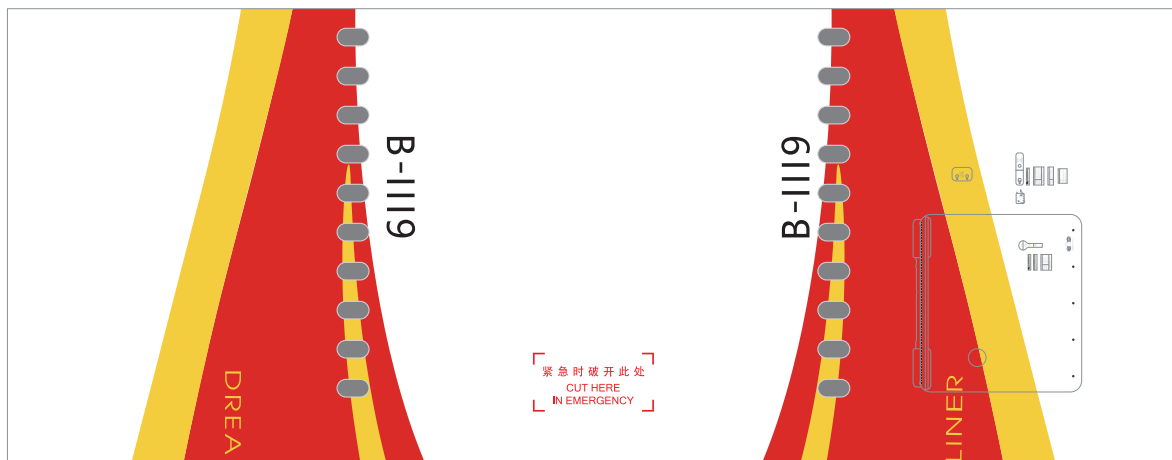
A16L





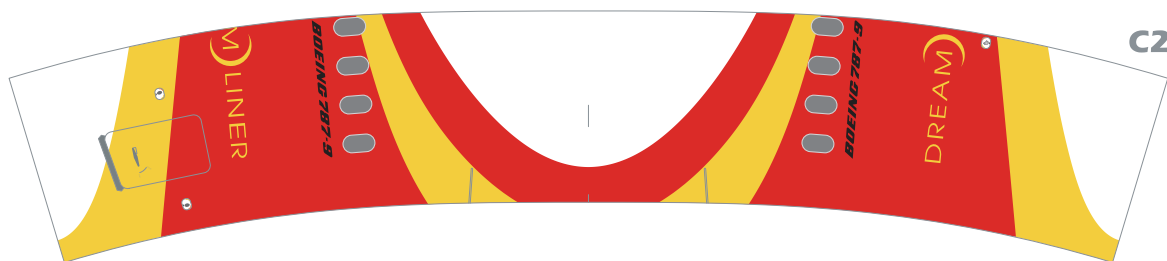
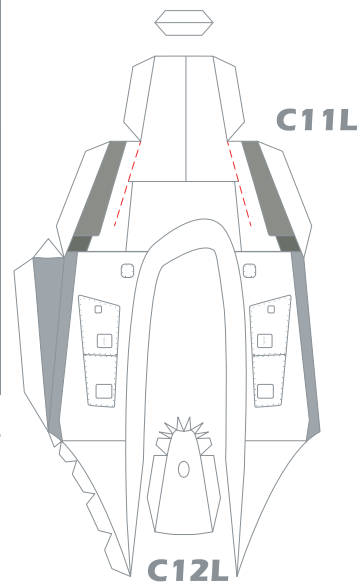
B6L B5 B6R



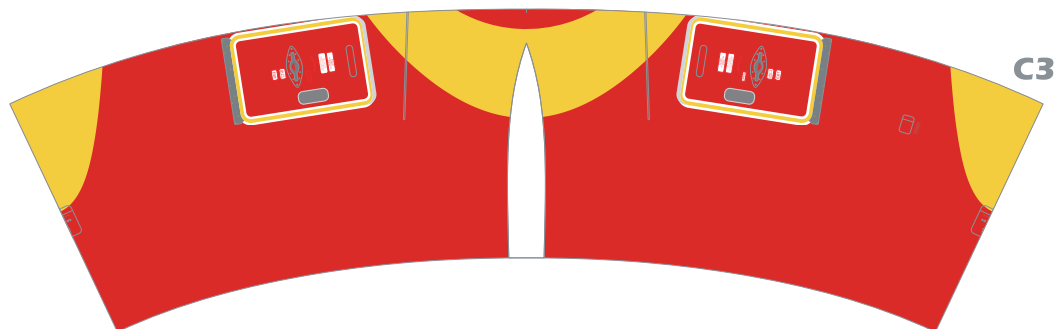
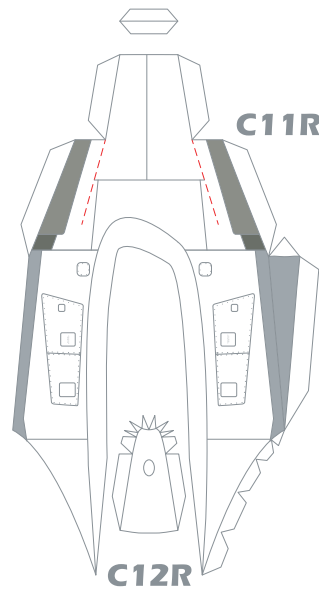


Blank space for 787-10 variant

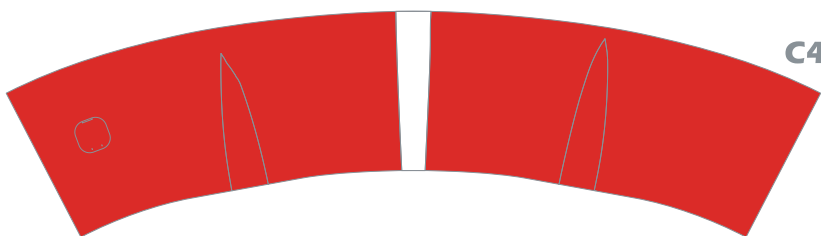
C1



C2



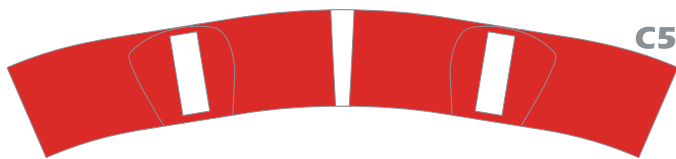
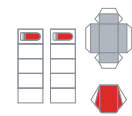
C3



C4



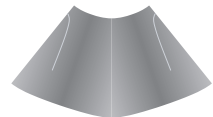
C8



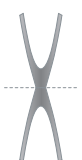
C5



C9



C7



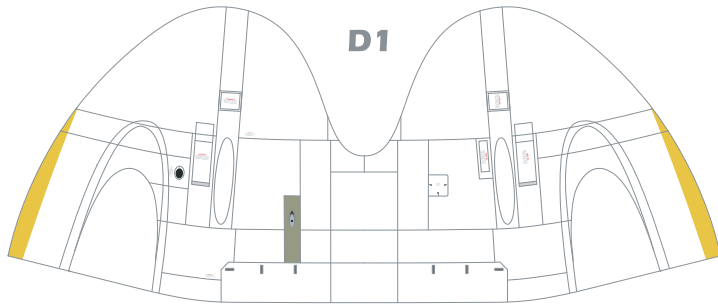
C10L



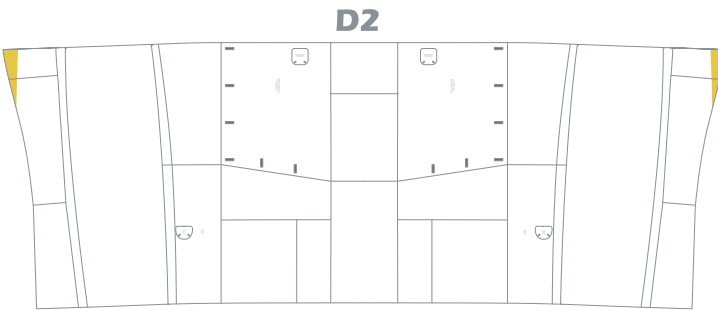
C10R



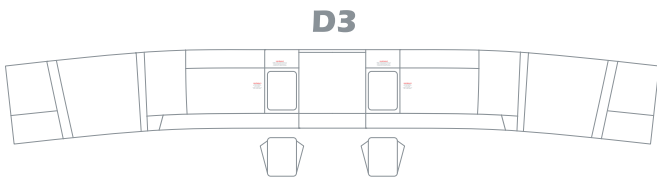
C6



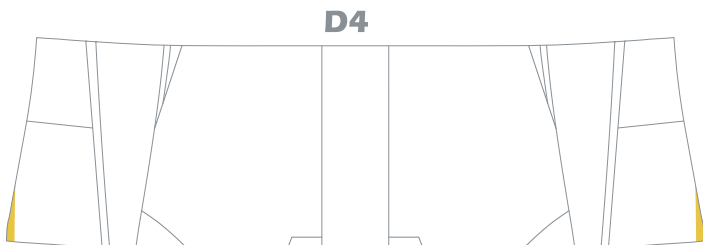
D1



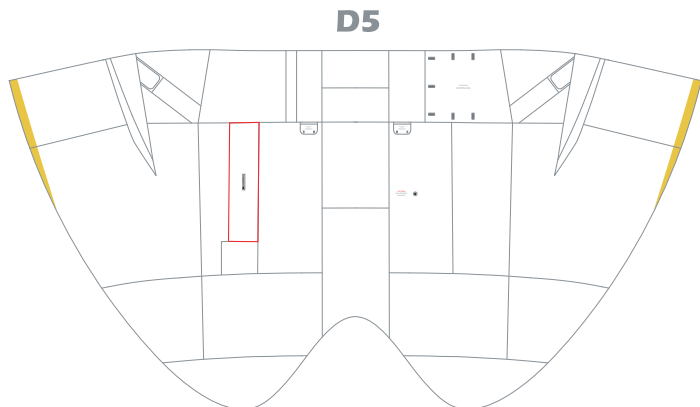
D2



D3



D4



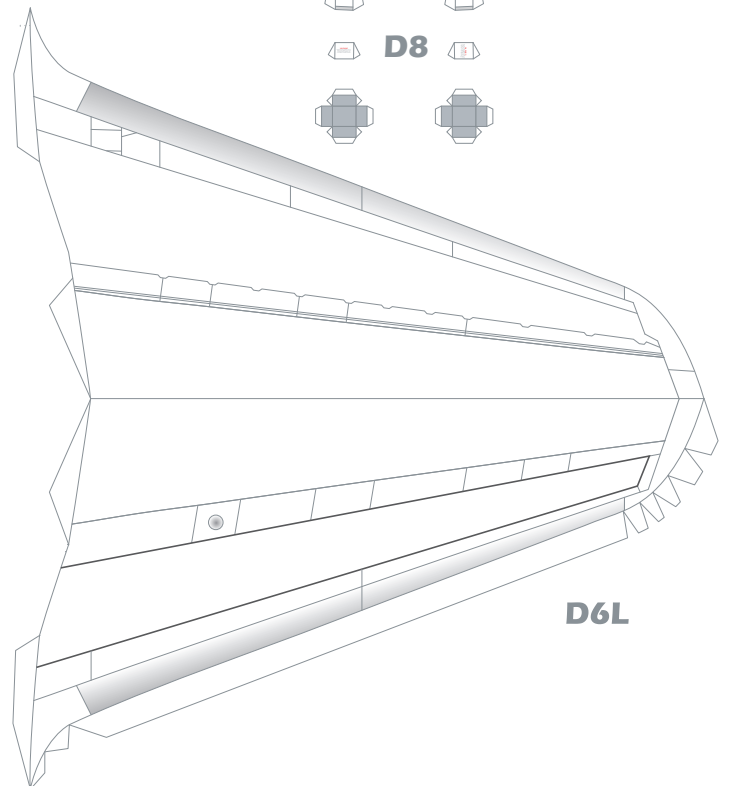
D5



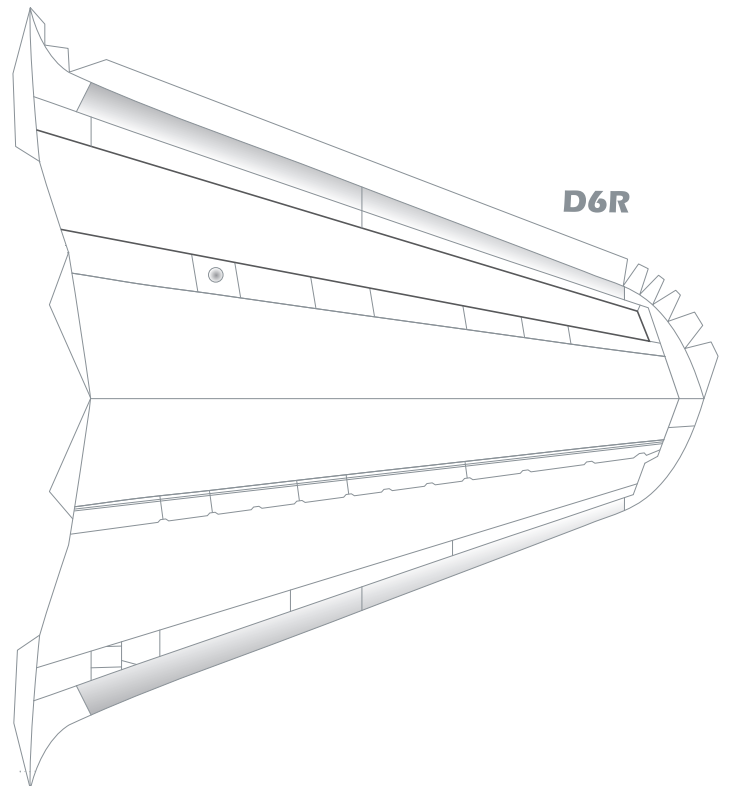
D7



D8

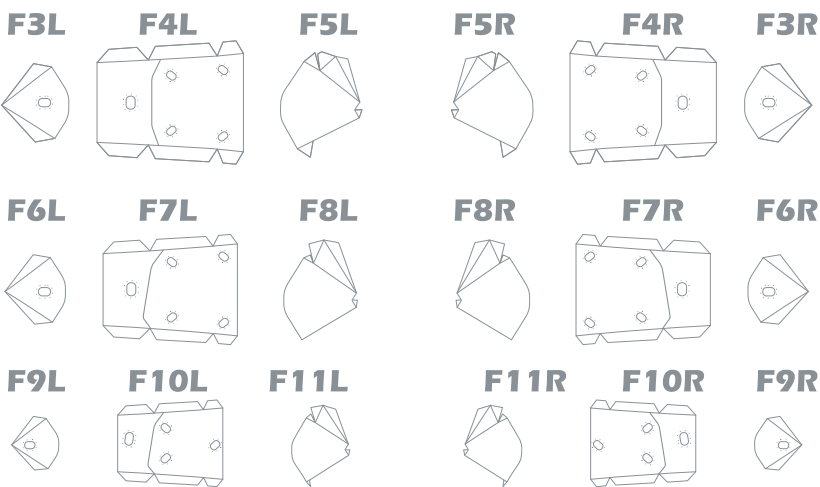
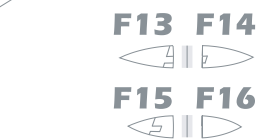
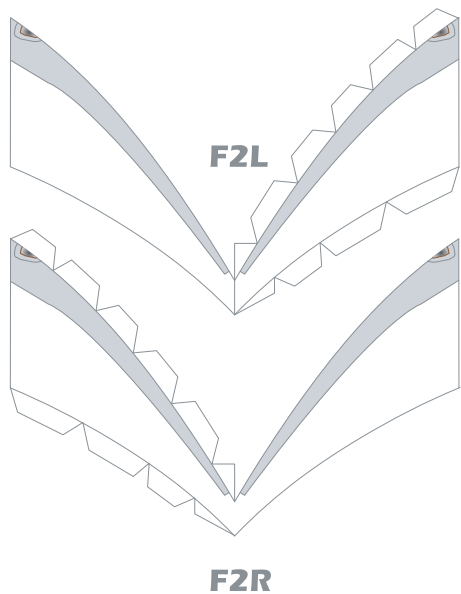
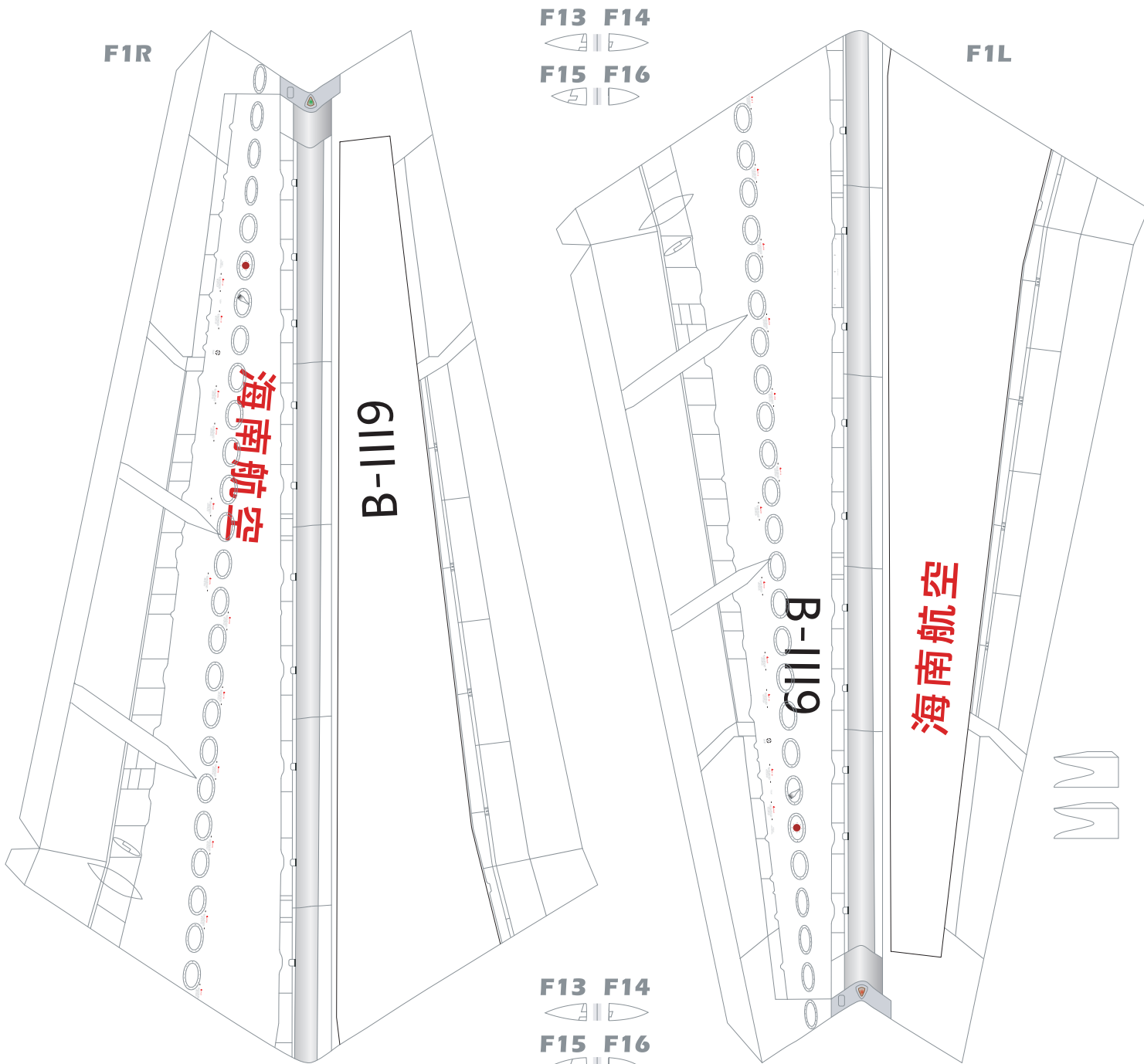


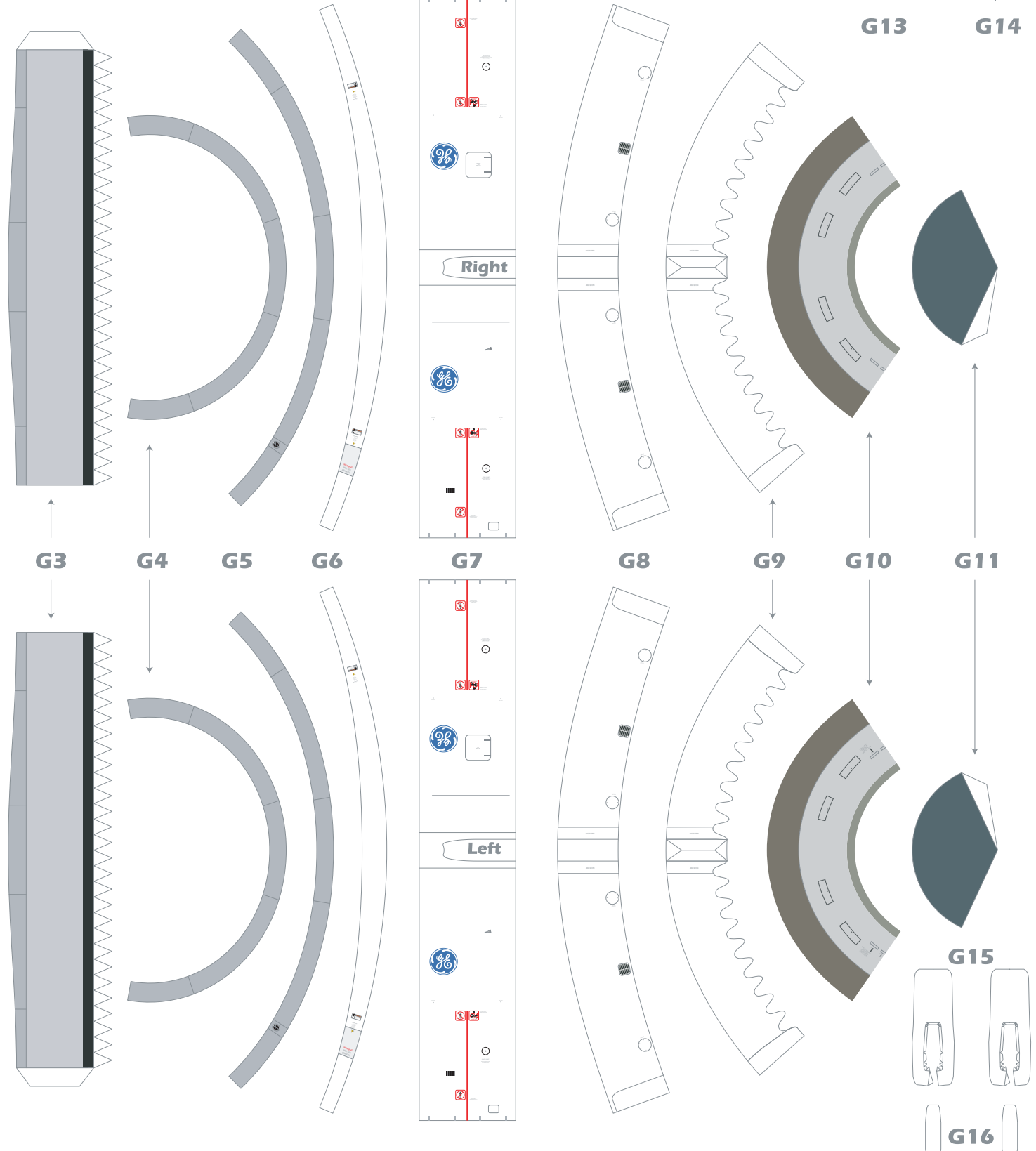
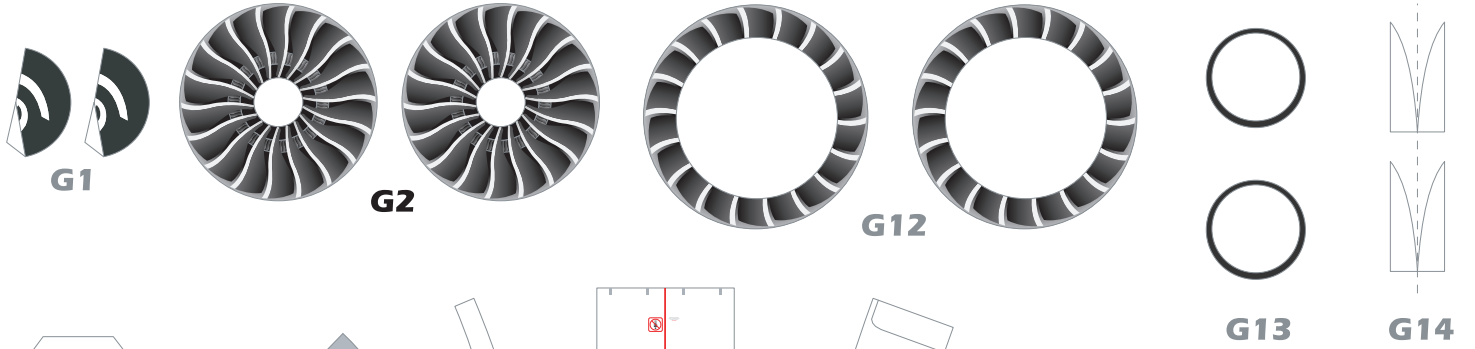
D6L

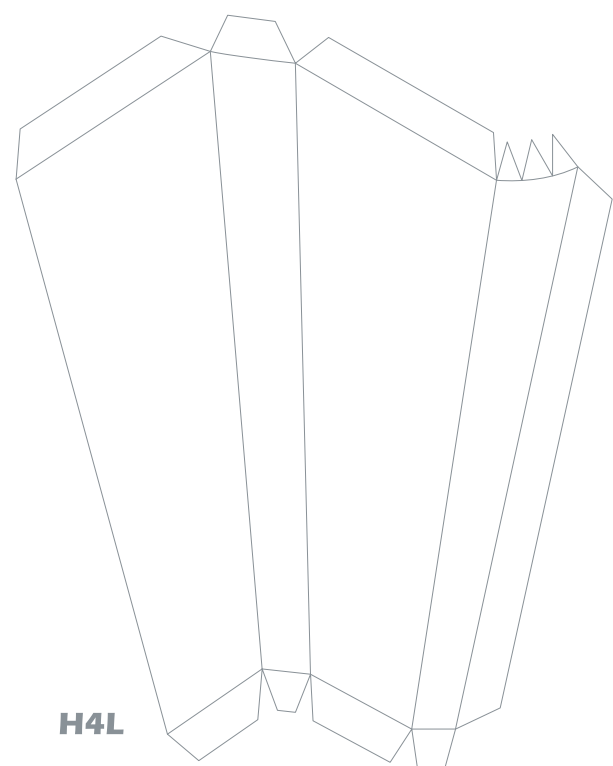
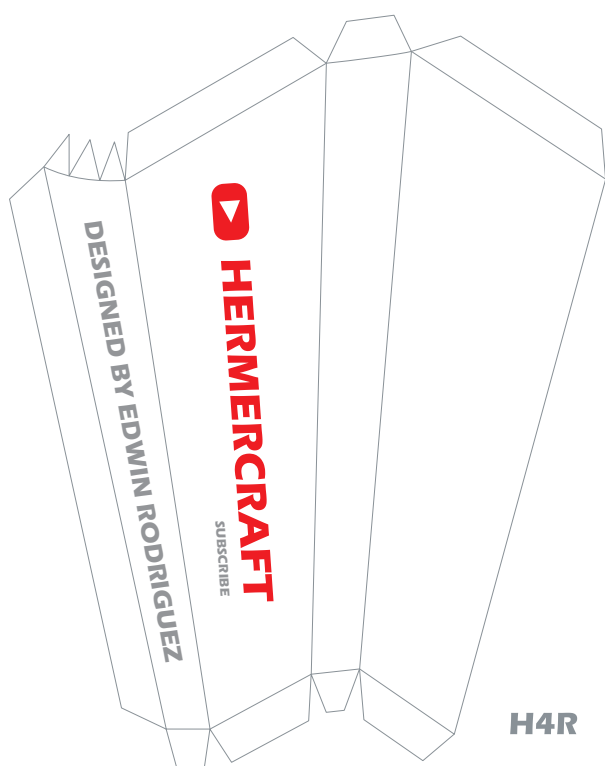
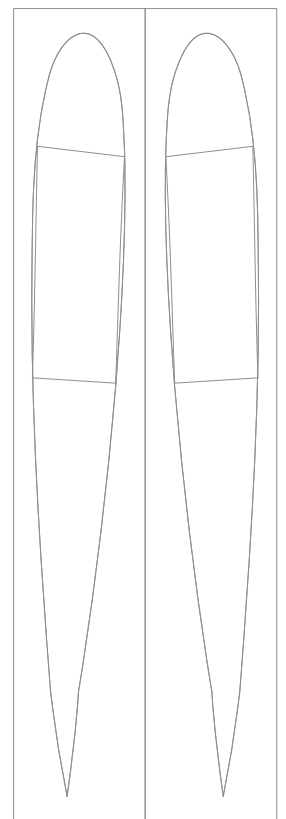
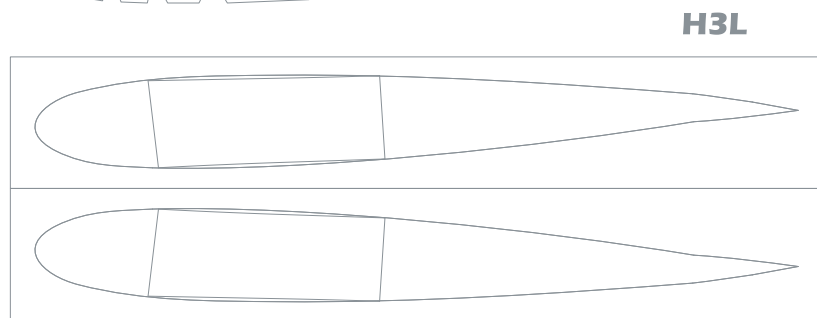
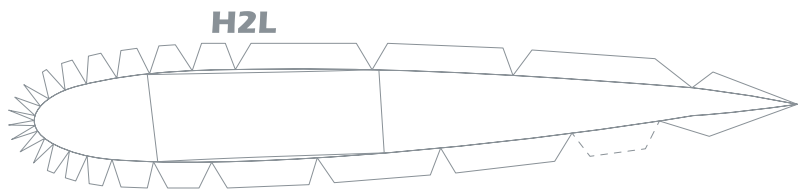
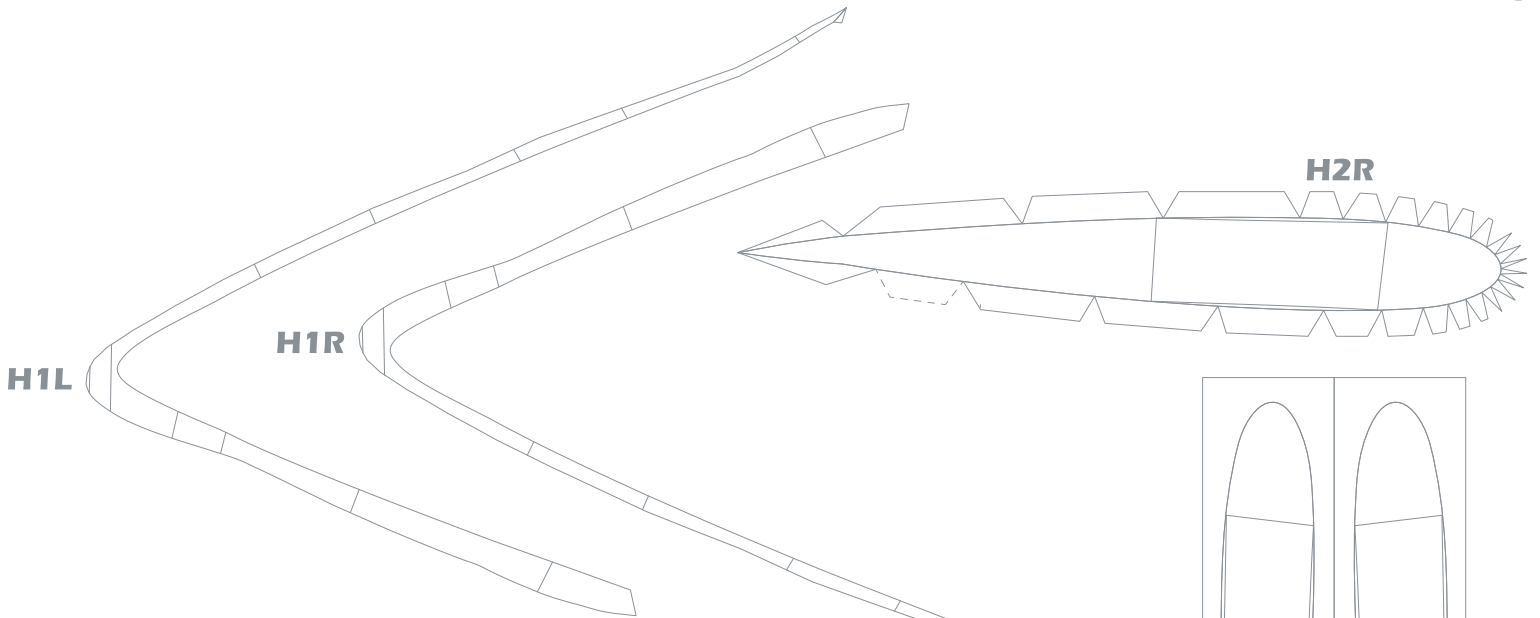


D6R







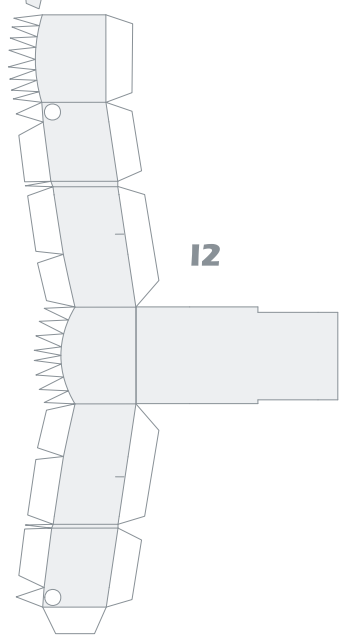
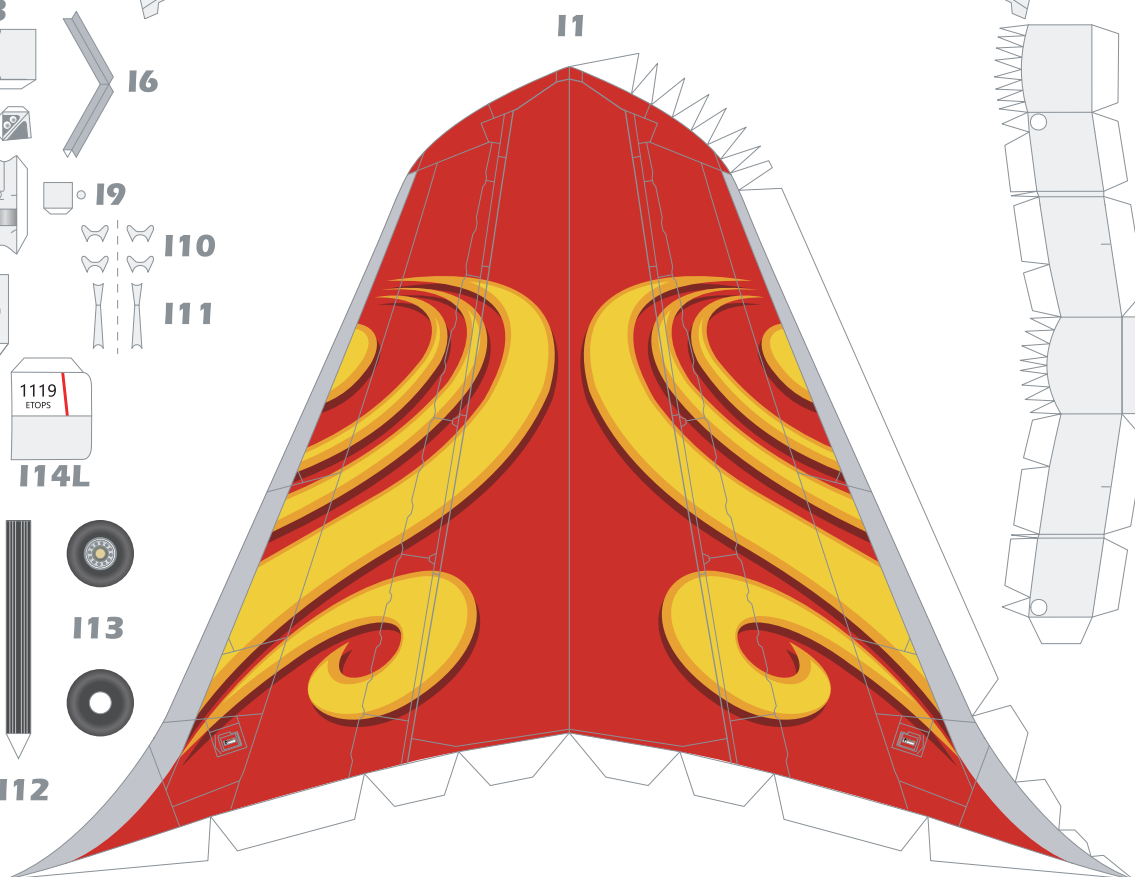
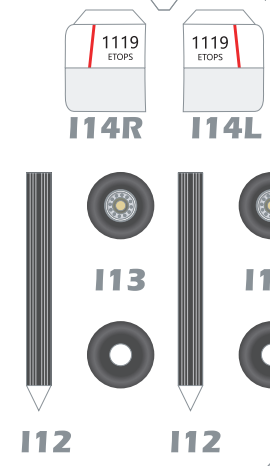
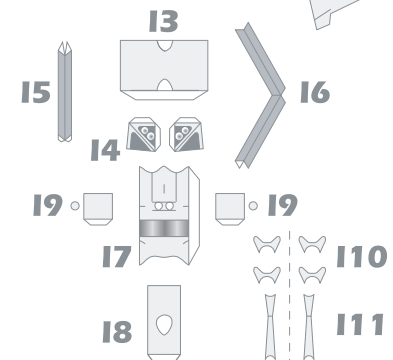
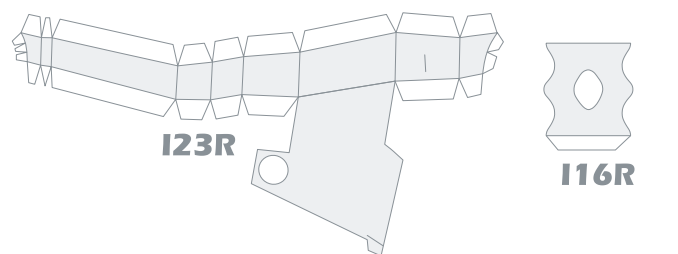
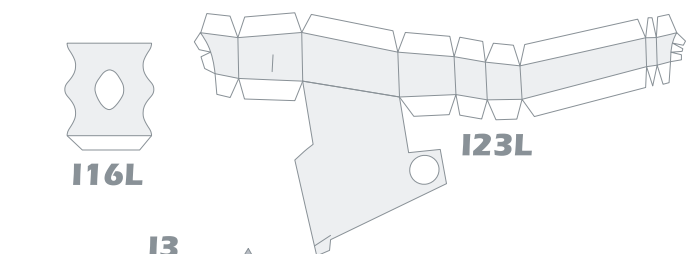
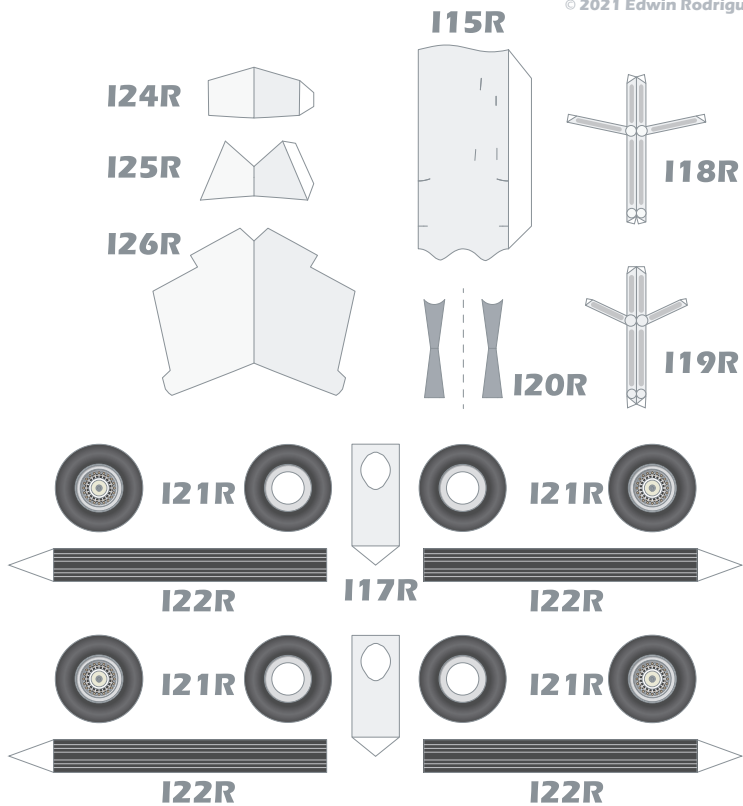
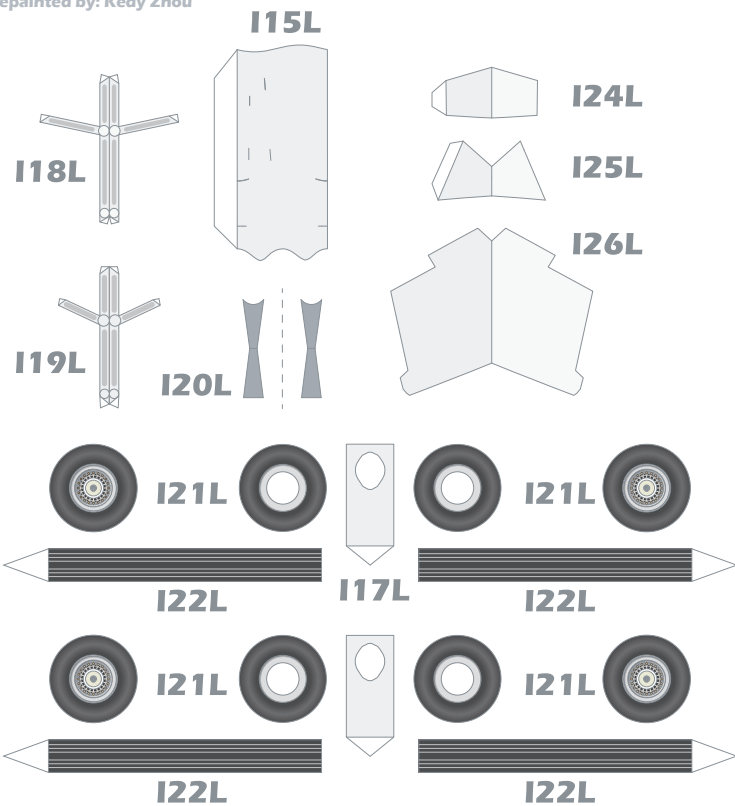


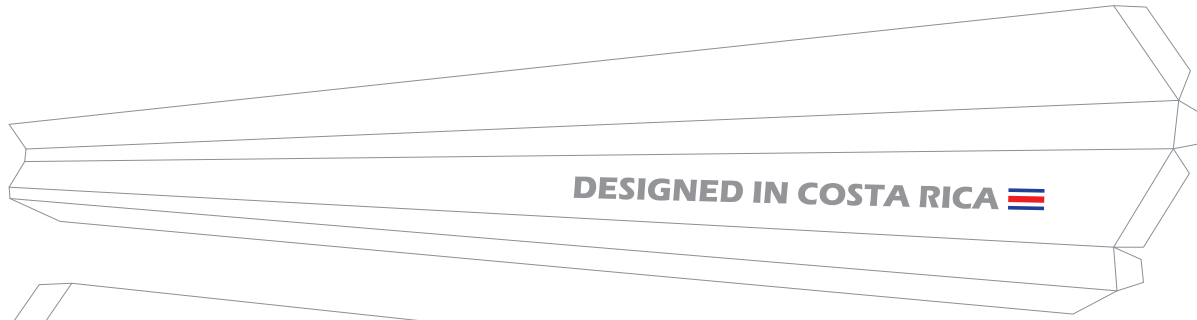




Repainted by: Kedy Zhou

© 2021 Edwin Rodriguez





J1L

DESIGNED IN COSTA RICA 



J1R

**FREE MODEL, DO NOT SELL THE FILE!!!**

