

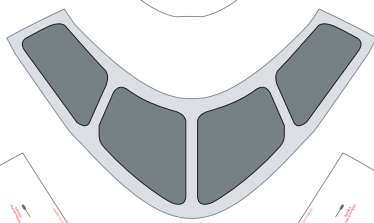
F10



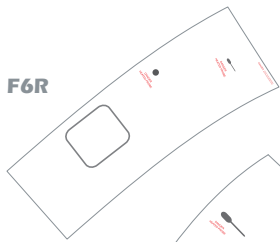
F9



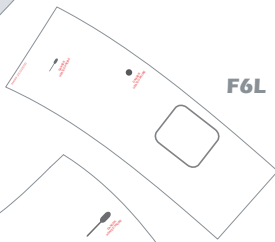
F8



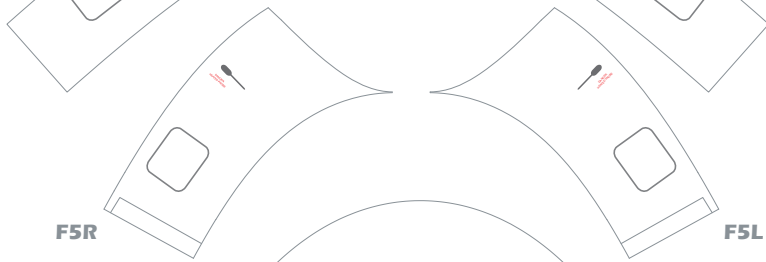
F7



F6R

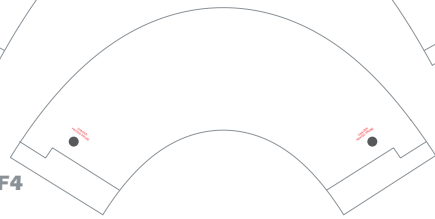


F6L



F5R

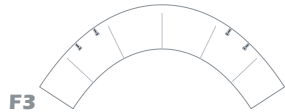
F5L



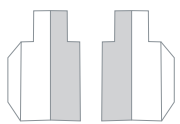
F4



L3



F3



L2L

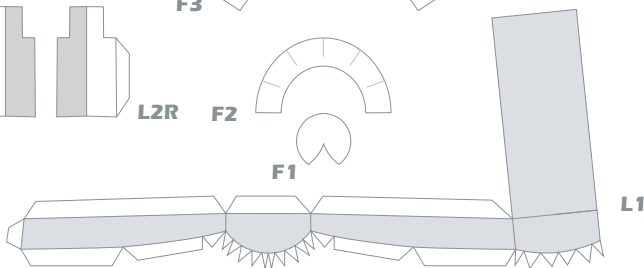
L2R



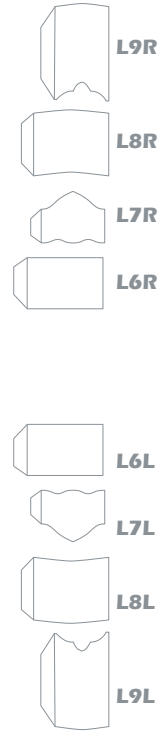
F2



F1



L1



L9R

L8R

L7R

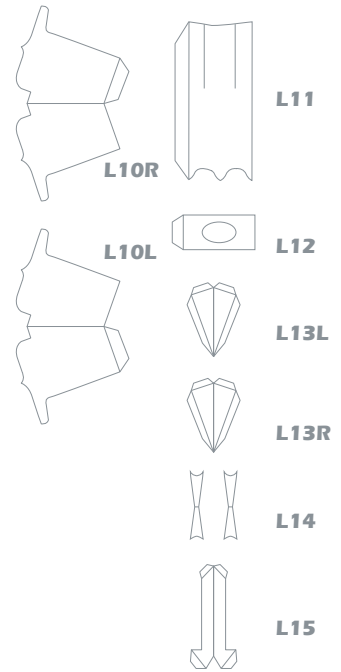
L6R

L6L

L7L

L8L

L9L



L10R

L10L

L11

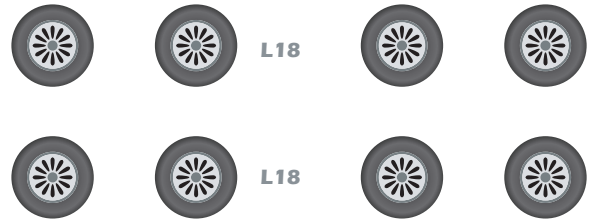
L12

L13L

L13R

L14

L15



L18

L18



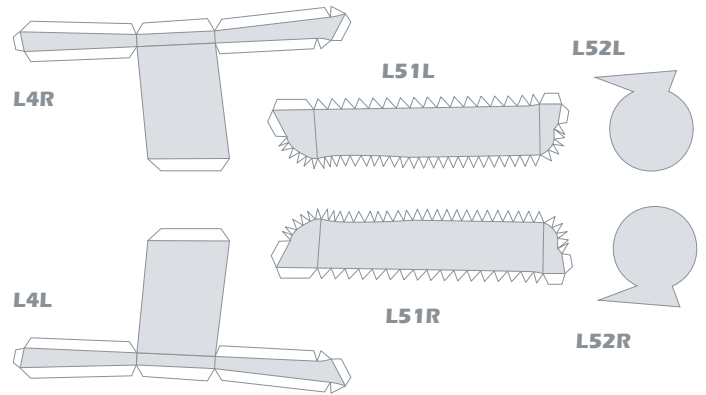
L19



L16



L17



L4R

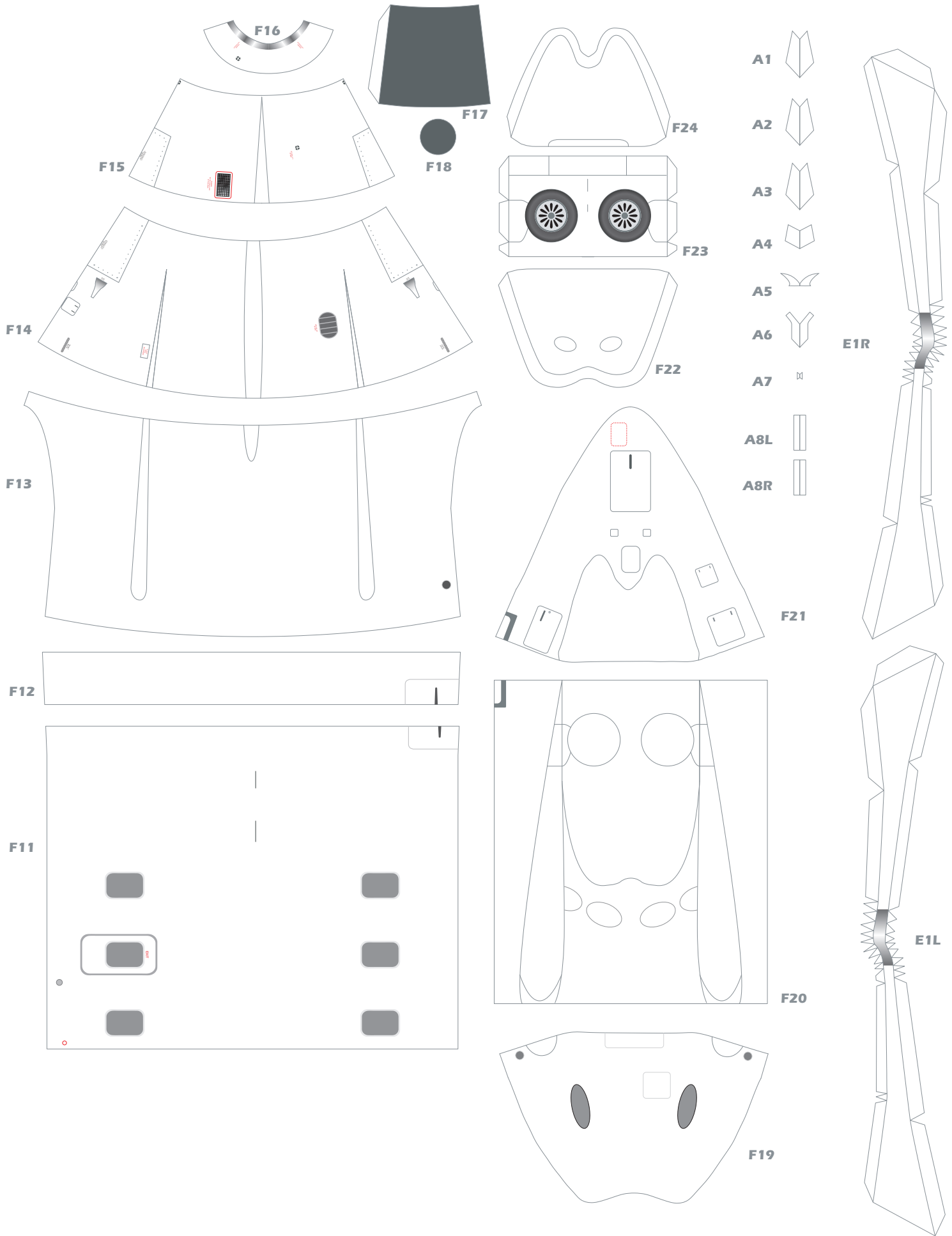
L4L

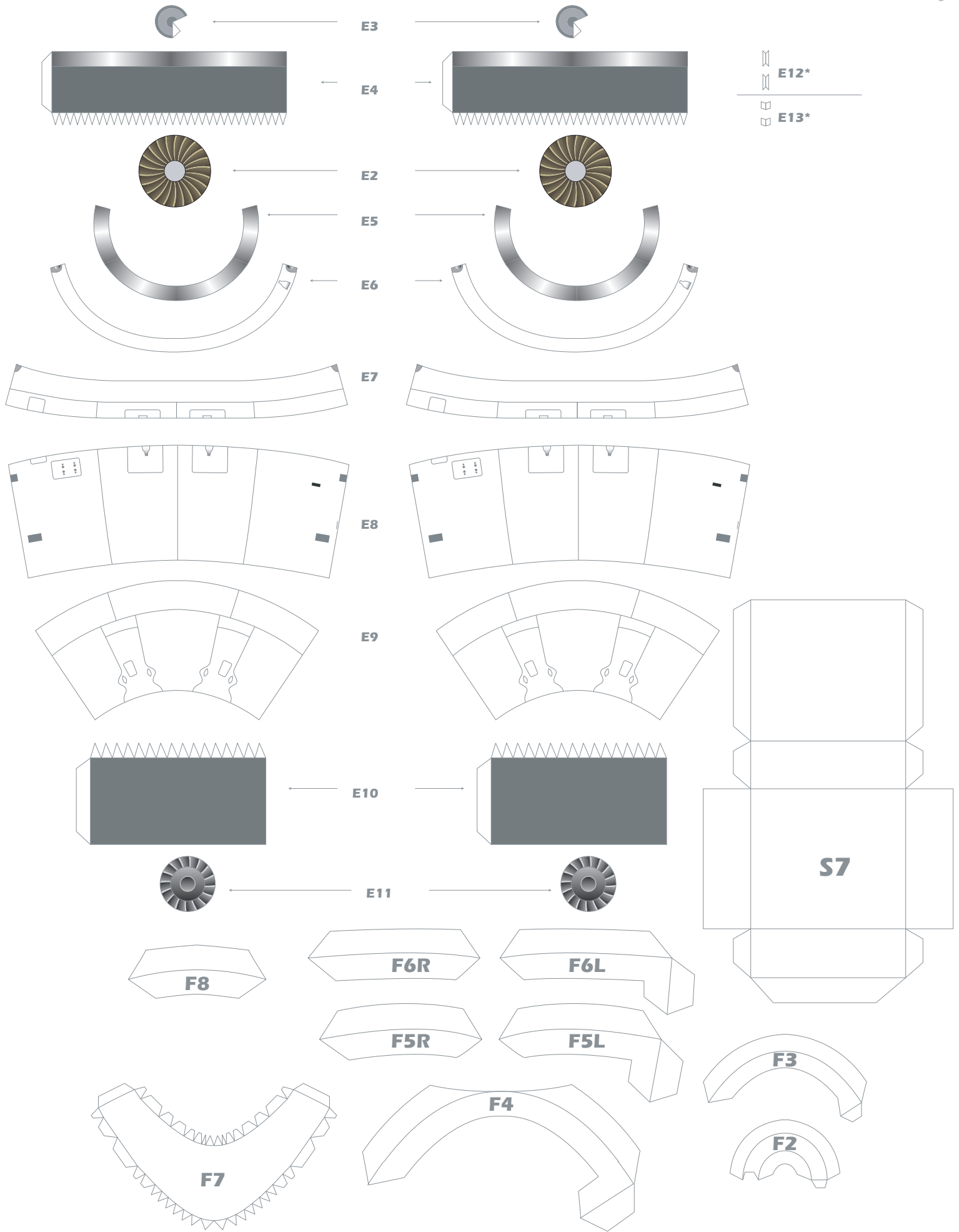
L51L

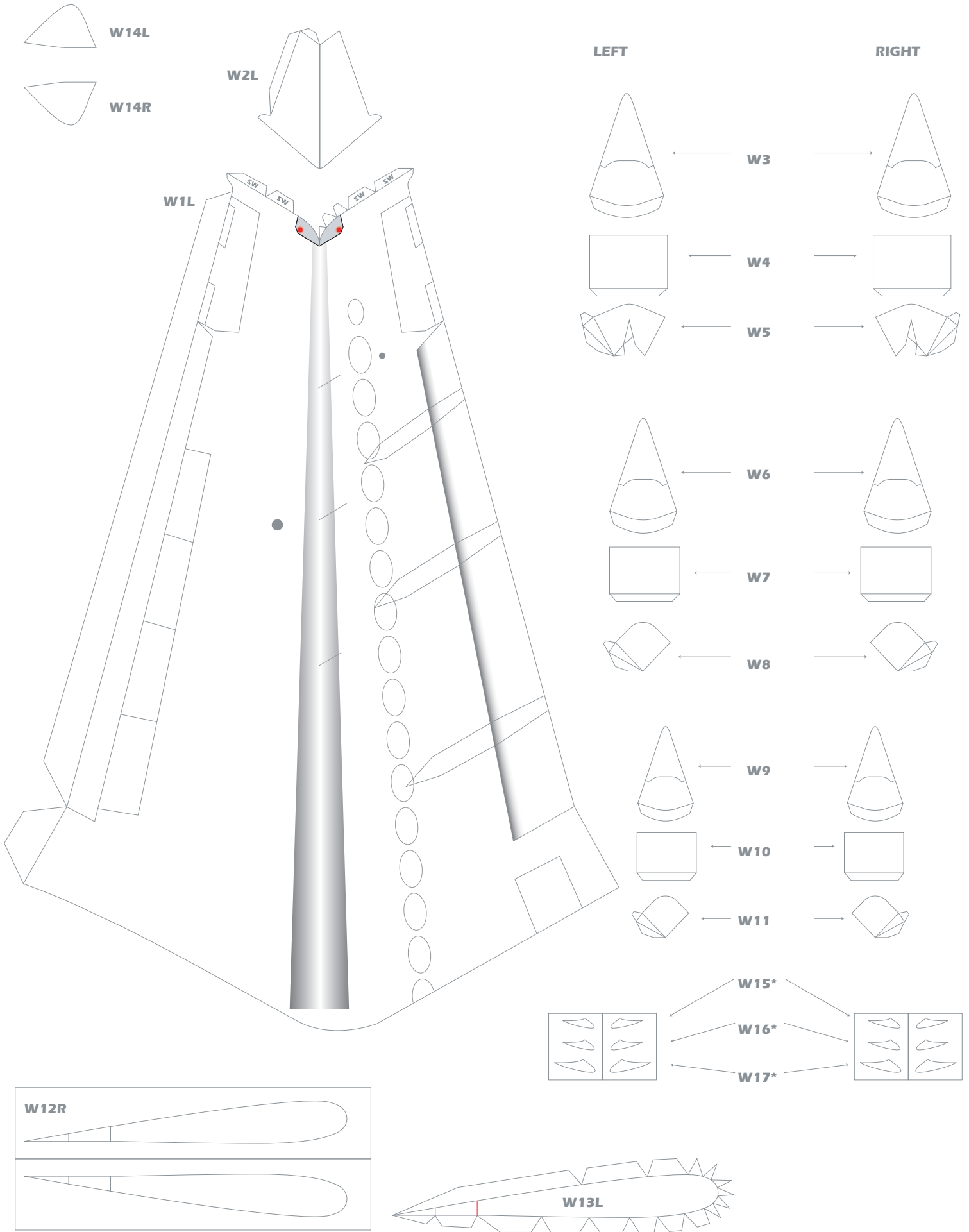
L51R

L52L

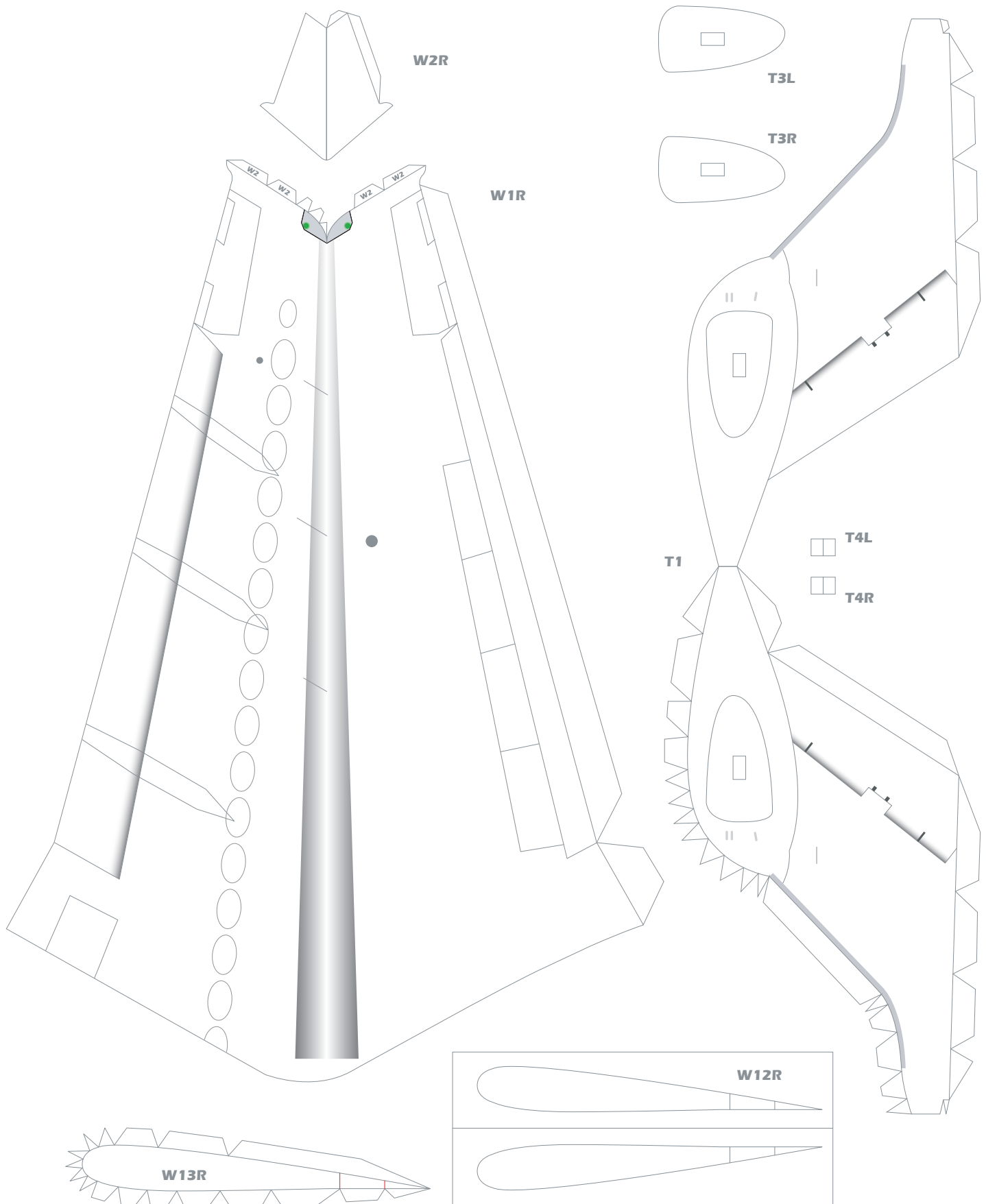
L52R

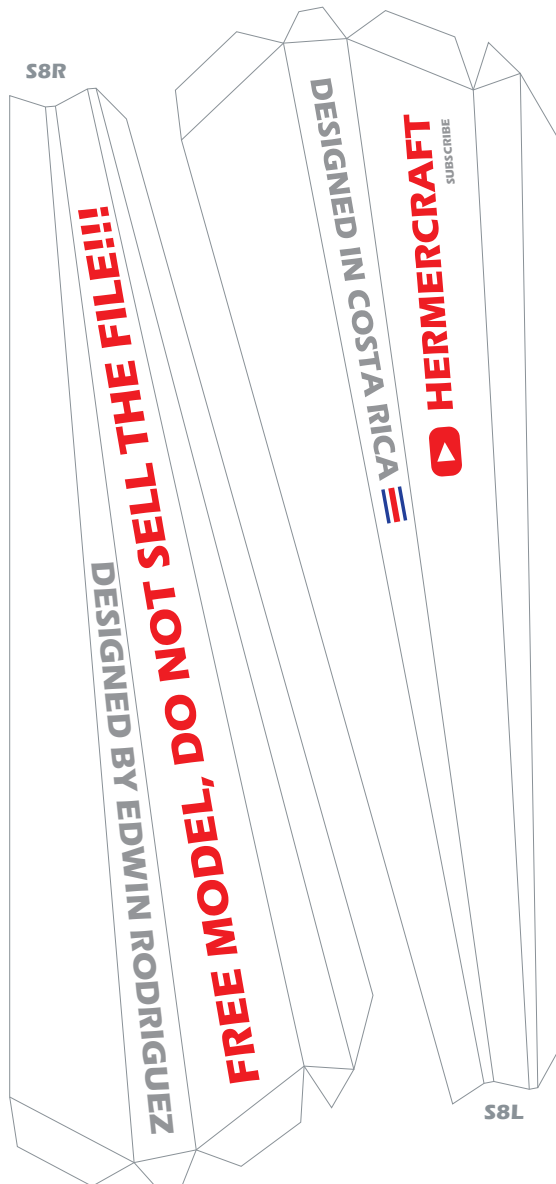
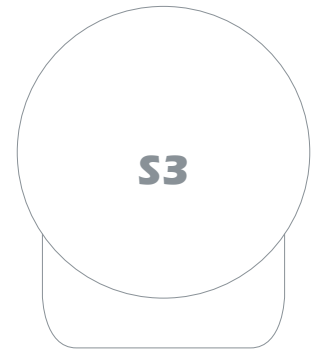
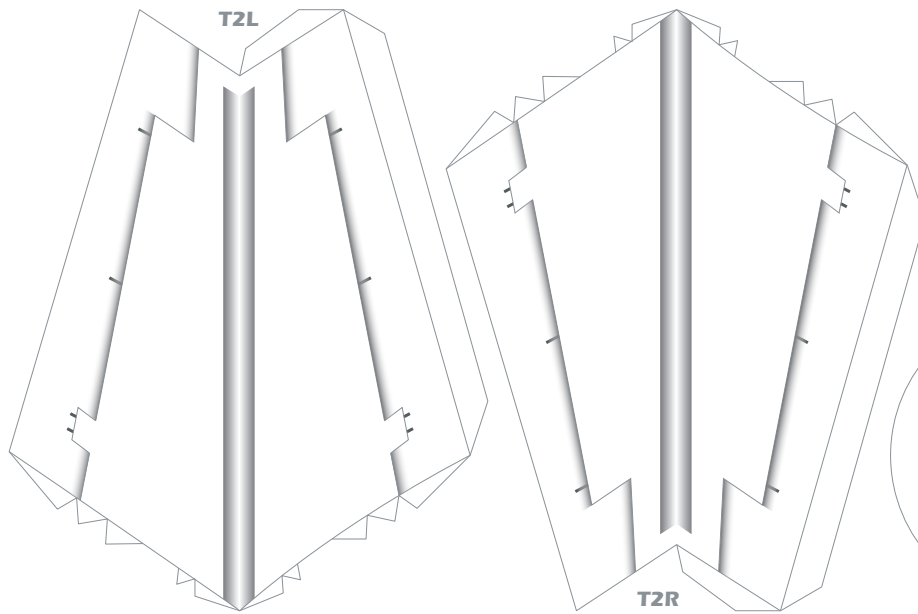


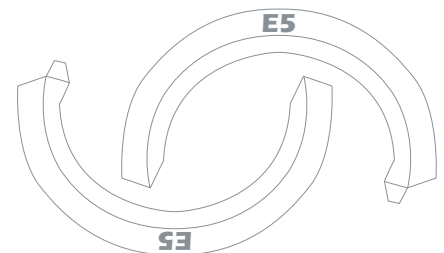
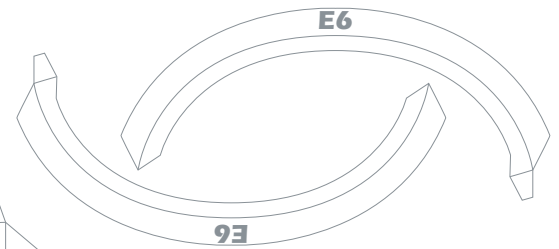
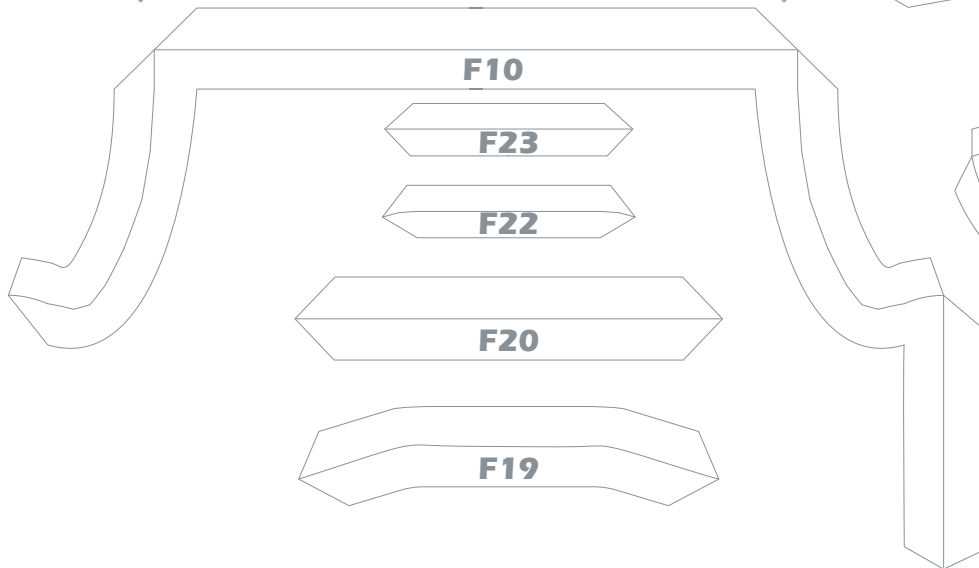
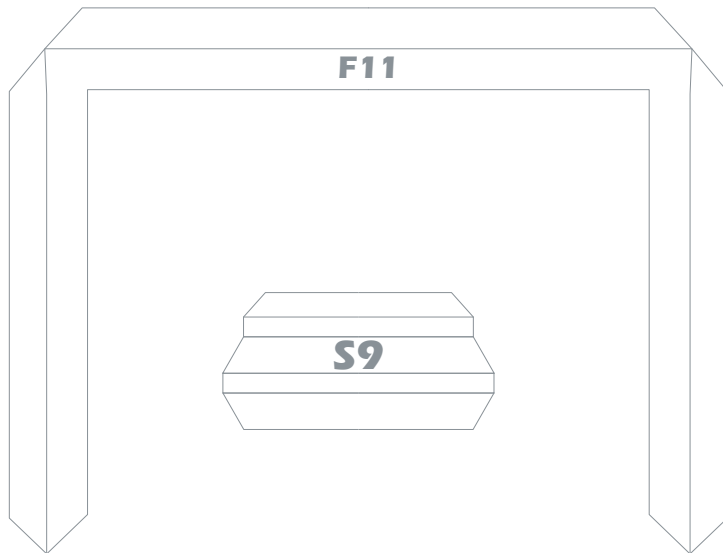
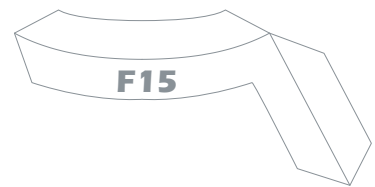
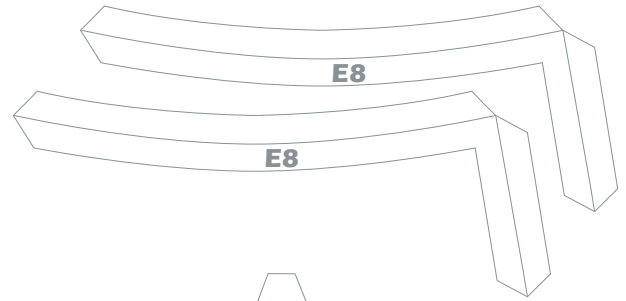
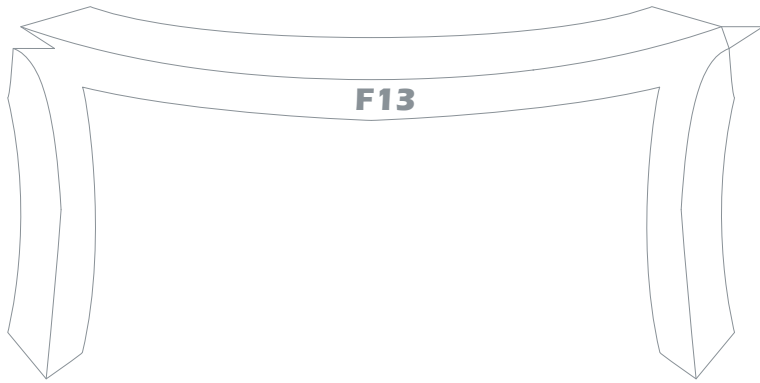


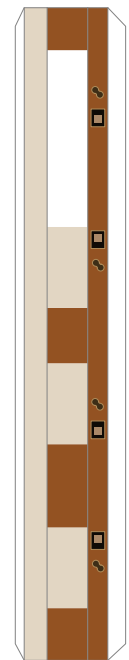
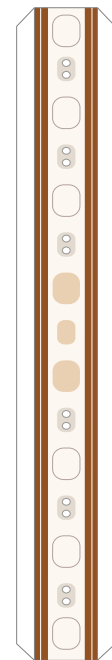
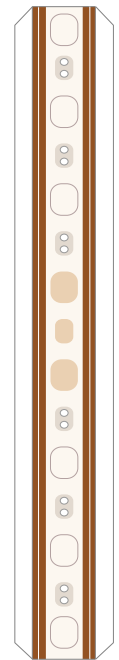
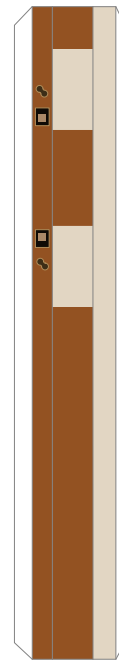
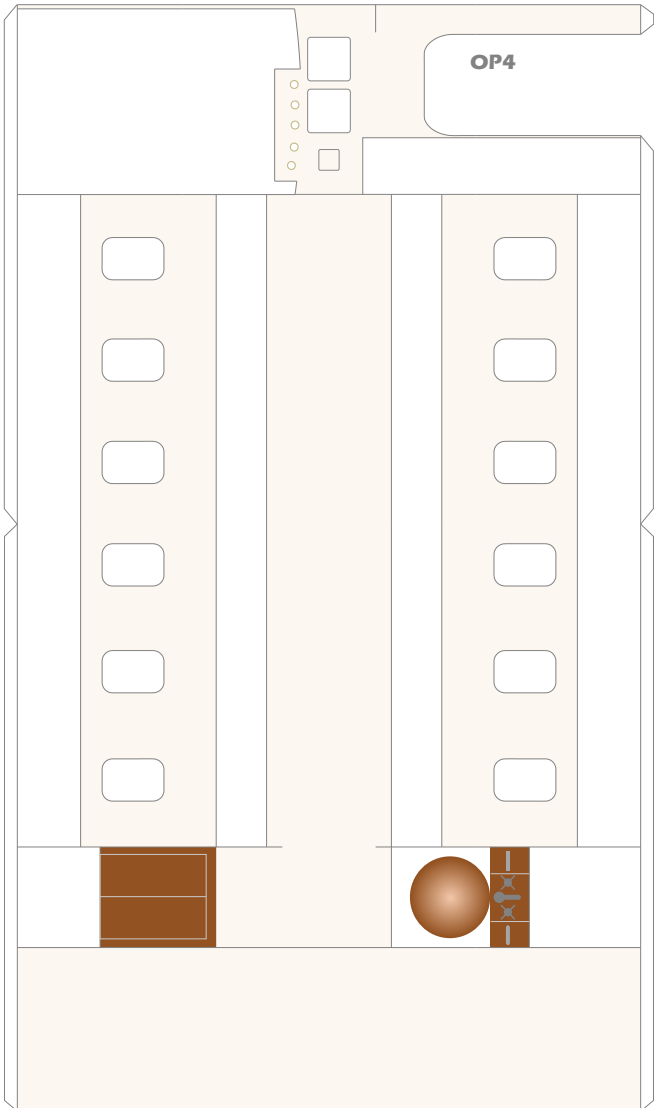
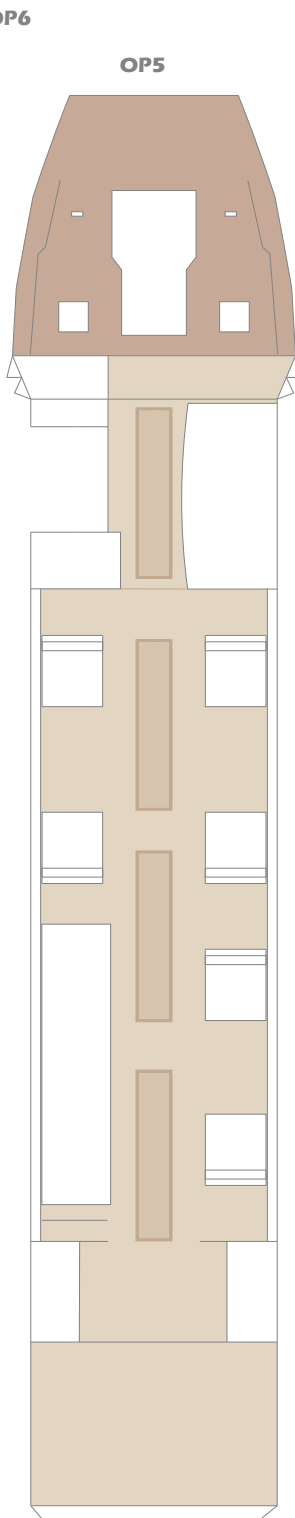
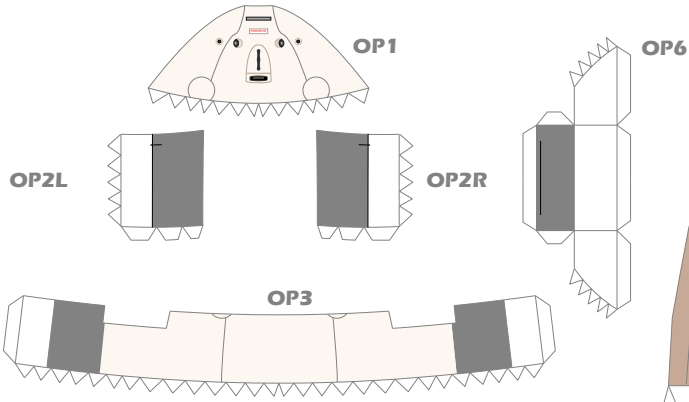












**Tables (Optional)**

